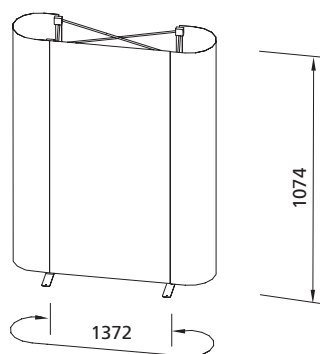


EUROcounter ES Mini 1 x 3

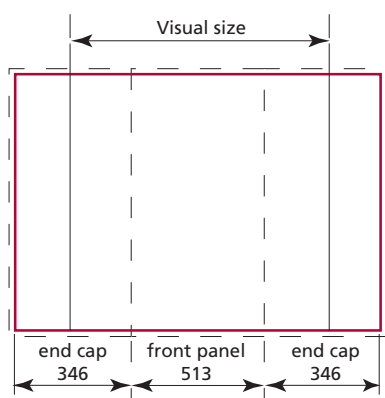


Graphic dimensions

Total size: 1 372 x 1 074 mm

Front panel dimension: 346 x 1 074 mm

Side panel dimension: 513 x 1 074 mm



Graphic preparation

Entire format: 1 372 x 1 074 mm

Printing area: 1 412 x 1 114 mm

Overlap: 20 mm on each side of entire format
WITHOUT CUTTING MARKS

Data requirements for digital print:

PDF:

Adobe Acrobat (version 6 and lower)
Texts integrated into the file or converted into paths.

Bitmap applications:

TIFF, BMP, EPS, Photoshop – PSD (version 8 and lower).

All data must be prepared on a 1:1 scale. Pictures on a scale of 1:4 or larger (up to 1:1) scanned in with 320 dpi (physical resolution).

Vector applications:

Illustrator – EPS nebo AI (version 11 and lower)
Logos and texts must be converted into paths.

Other applications after consultation.

Colours:

All data have to be in CMYK (be aware of fotos in RGB and direct colours in Illustrator) and must have defined the used colour profile. Otherwise we do not guarantee desired colours.

Possible data compression:

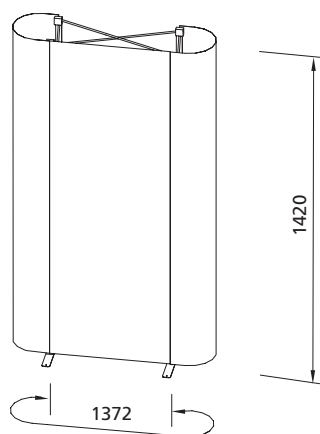
ZIP, ARJ, RAR, Stuffit

Data media:

CD, DVD, external USB, HD, data transfer through FTP

Other media after consultation.

EUROcounter ES Mini 1 x 4

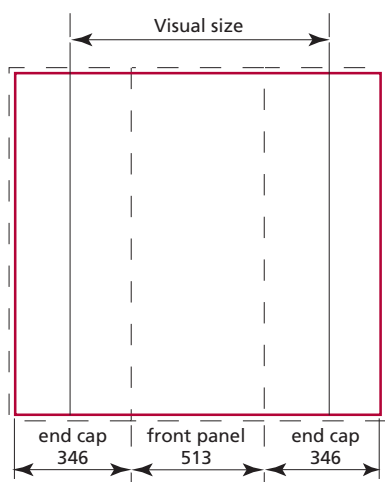


Graphic dimensions

Total size: 1 372 x 1 420 mm

Front panel dimension: 346 x 1 420 mm

Side panel dimension: 513 x 1 420 mm



Graphic preparation

Entire format: 1 372 x 1 420 mm

Printing area: 1 412 x 1 460 mm

Overlap: 20 mm on each side of entire format
WITHOUT CUTTING MARKS

Data requirements for digital print:

PDF:

Adobe Acrobat (version 6 and lower)
Texts integrated into the file or converted into paths.

Bitmap applications:

TIFF, BMP, EPS, Photoshop – PSD (version 8 and lower).

All data must be prepared on a 1:1 scale. Pictures on a scale of 1:4 or larger (up to 1:1) scanned in with 320 dpi (physical resolution).

Vector applications:

Illustrator – EPS nebo AI (version 11 and lower)
Logos and texts must be converted into paths.

Other applications after consultation.

Colours:

All data have to be in CMYK (be aware of fotos in RGB and direct colours in Illustrator) and must have defined the used colour profile. Otherwise we do not guarantee desired colours.

Possible data compression:

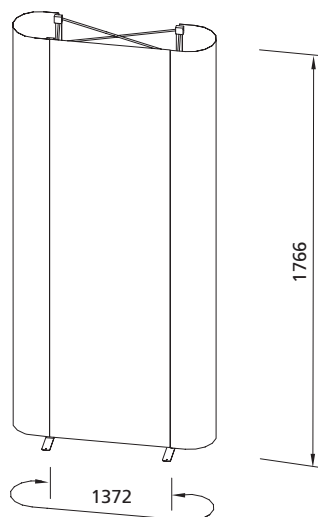
ZIP, ARJ, RAR, Stuffit

Data media:

CD, DVD, external USB, HD, data transfer through FTP

Other media after consultation.

EUROcounter ES Mini 1 x 5

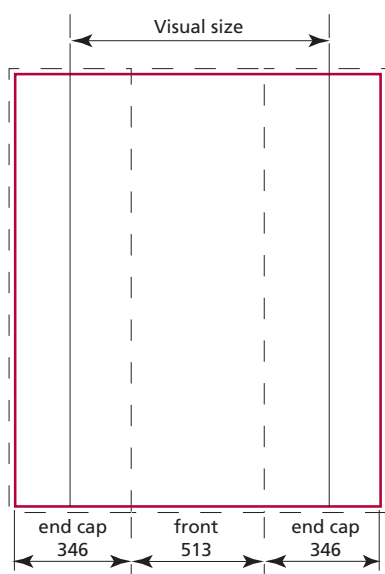


Graphic dimensions

Total size: 1 372 x 1 766 mm

Front panel dimension: 346 x 1 766 mm

Side panel dimension: 513 x 1 766 mm



Graphic preparation

Entire format: 1 372 x 1 766 mm

Printing area: 1 412 x 1 806 mm

Overlap: 20 mm on each side of entire format
WITHOUT CUTTING MARKS

Data requirements for digital print:

PDF:

Adobe Acrobat (version 6 and lower)
Texts integrated into the file or converted into paths.

Bitmap applications:

TIFF, BMP, EPS, Photoshop – PSD (version 8 and lower).

All data must be prepared on a 1:1 scale. Pictures on a scale of 1:4 or larger (up to 1:1) scanned in with 320 dpi (physical resolution).

Vector applications:

Illustrator – EPS nebo AI (version 11 and lower)
Logos and texts must be converted into paths.

Other applications after consultation.

Colours:

All data have to be in CMYK (be aware of fotos in RGB and direct colours in Illustrator) and must have defined the used colour profile. Otherwise we do not guarantee desired colours.

Possible data compression:

ZIP, ARJ, RAR, Stuffit

Data media:

CD, DVD, external USB, HD, data transfer through FTP

Other media after consultation.